

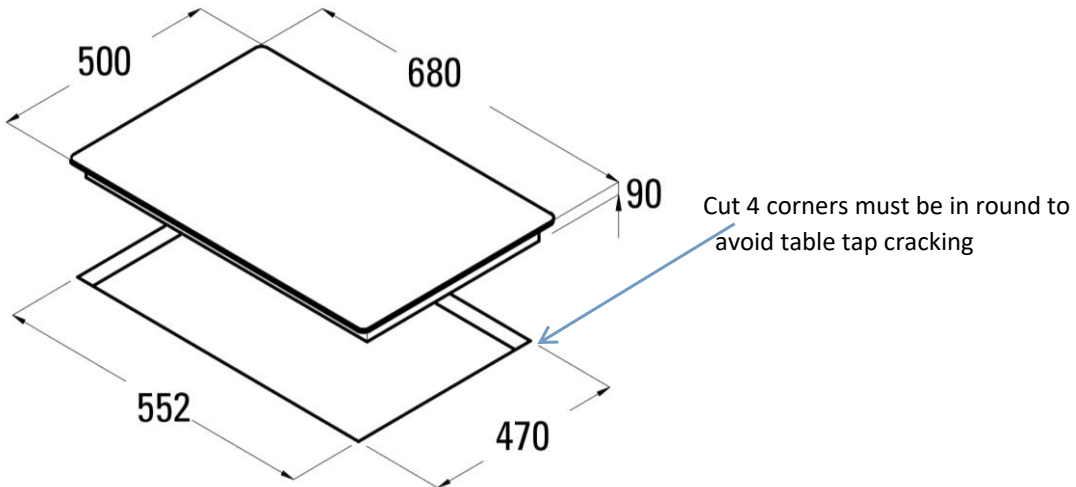


SPECIFICATION SHEET - appliances

BRAND:		Product Photo: 
ORIGIN:	SPAIN	
SERIES:	L705TI	
PRODUCT DESCRIPTION:	Built-in 5-Gas Hob (LPG) . cast iron grids . auto ignition, safety valve . 5 cooking zones - 3.0kW fast burner . 1.7kw semi fast x 2 - 3.5kw triple ring + 1.0kw auxiliary	
MODEL No.	0803.6303	
FINISH/COLOUR:	Stainless Steel	
DIMENSIONS:	680 x 500mm	
OPTIONAL MATCHING PARTS:		

Technical Informations:
 Voltage: 220V / 50~60 Hz
 Power: 2500W
 Phase: single+grounding



REMINDER: Do not use cleaners containing abrasive cleansers, ammonia, bleach, acids, waxes, alcohol, solvents or other products not recommended for chrome.
 All information is for reference only, installation shall always be based on the actual product delivered.